



Nova Parasol

Installation Manual

INSTALLATION INSTRUCTIONS

Your Nova parasol comes fully assembled in the box. Before you can erect and set up your Nova parasol you will need to install the required base fitting which is either a base plate or inground fitting. Prior to fixing the base plate or inground fitting please read the following important information

Alignment of the base fitting to face the parasol in the correct direction

There are 4 x threaded holes in the centre area of the 400mm diameter base plate and on the top of the inground fitting sleeve plate and these are called the threaded spigot holes.

Before installing your base plate or inground fitting, draw an imaginary straight line through two sets of threaded spigot holes. This will be the direction of one of the flat sides of your parasol. Use these imaginary lines to square off your base fitting installation. This is of particular relevance when installing square shape parasol and not as important with an octagonal parasol.



Once you have erected the parasol if you find it is still not completely squared off to your area, you can always turn the parasol 90° degrees on the spigot and re-drill a new spigot hole through the street spigot inside the parasol (a good quality 12mm drill bit and high powered drill will be required).

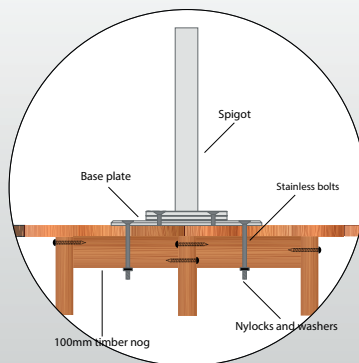
BASE PLATE INSTALLATION

There are 2 ways to install your base plate depending what you are fixing to. Select which is applicable for your situation.

1. Fixing the base plate to a timber deck:

If you wish to install your Nova parasol onto a timber deck then the following installation method should be adhered to. **Your base plate must be bolted to the frame of the deck and not only to the deck planking.** You need to fasten 2 or 3 “nogs” or “braces” between the deck joists or bearers that form the structural frame of the deck. The nogs need to cover the area under the base plate. They must be secured hard up under the deck planking and between the deck bearers and fastened to the deck frame with fasteners. The fasteners may be large galvanised nails, builders brackets or similar. The base plate should now be set in the required position and bolted through the deck planking and the fixed braces by using at least 12mm countersunk 150mm stainless steel bolts and nylocks with a large washer on the underside.

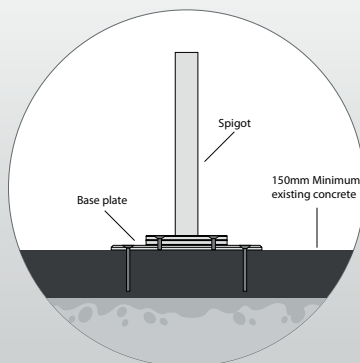
It is recommended to seek the advice of a builder or engineer especially when installing larger 4m or 5m size Nova parasols onto a deck or when the parasol will be in a high wind zone.



2. Fixing the base plate to a concrete slab:

When installing the parasol on a concrete surface fix the base plate to the concrete using six galvanised or stainless concrete screw fixings. The concrete slab should be at least 150mm thick. The fixings used should be at least 75mm long (100mm recommended) and 10mm in diameter.

Important: Prior to fixing the base plate to the deck or concrete slab please ensure you have read the paragraph section "Alignment of the base fitting..." On page 1.



INGROUND INSTALLATION

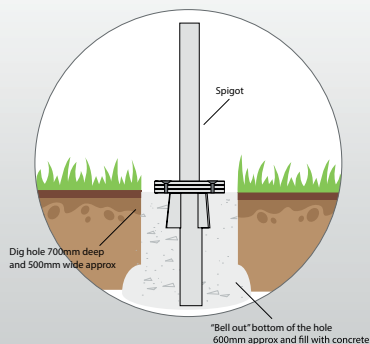
Fixing into lawn, soil or patio:

When installation is required in soil or lawn then an inground fitting must be used. This is a galvanised steel fitting which must be concreted into position. Terrain differs from thick clay to sand or fine soil so a different sized hole must be prepared and a different volume of concrete used to suit. As a guide only a hole 500mm x 500mm x 700mm deep is a minimum requirement for heavy clay soil terrain. Even then a post hole borer can be used to deepen the centre of the footing. When pouring the concrete it is advisable to drop a few lengths of reinforcing steel bar into the hole to prevent the concrete from cracking. Remember the depth of the hole is better than the width and it is much easier to make the hole over-size than to try to re-stabilise the inground fitting should it start to move over time. Pavers may need to be removed to facilitate this inground fitting and then cut to suit when replaced.

When setting the inground fitting in the concrete you must ensure the fitting is 100% level. Allow adequate time for the concrete to cure before installing the parasol. This depends on the cure time of the concrete but is normally about 7 days.

Important: *Prior to install please ensure you have read the paragraph section "Alignment of the base fitting..." On Page 1.*

Tip: To ensure that concrete does not come up the threaded spigot holes in the inground fitting it is advisable to put the supplied spigot bolts into the required threaded spigot holes (if they do not already have a threaded guard in the hole). It's also recommended to apply some tape over the underside of the holes as a precaution.



NOVA LARGE CROSS BASE

Step 1.

Firstly line up the four large counter sunk holes in the base plate with the screw holes on the cross base.

Step 2.

Using the large counter sunk bolts, secure the base plate to the cross base.

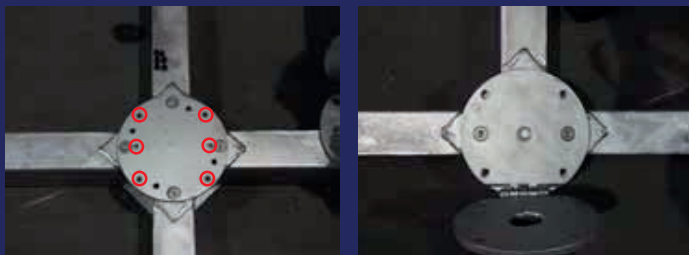


Step 3.

Remove six grub screws, these should line up with the four external holes on the spigot and the two internal holes.

Step 4.

Secure the bottom plate of the hinged spigot to the base plate using the 20mm counter sunk screws.



Step 5.

Slide the parasol mast onto the spigot. Lift it into position and secure the top plate of the hinged spigot to the base plate using the remaining four counter sunk bolts.





Unit 7 & 8 Tatton Court
Kingsland Grange
Warrington
WA1 4RR

Tel: 01925 859960
Email – info@instashade.co.uk
Web – www.instashade.co.uk