



Aurora Parasol

Owners Manual

AURORA CANTILEVER PARASOL

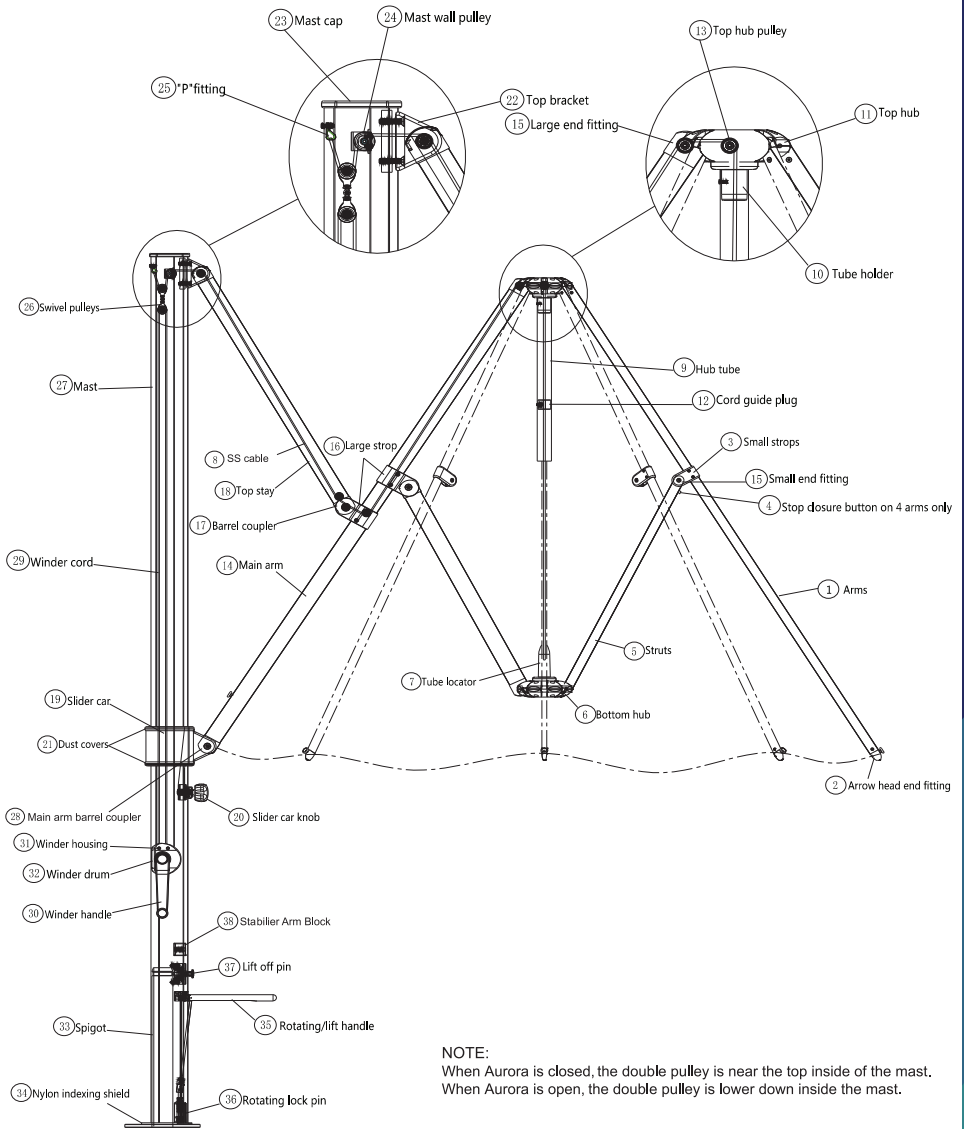
The Aurora is manufactured using high quality materials and fabrics and is designed to give many years of trouble free use and enjoyment. The following information is to inform, how to operate your Aurora parasol to ensure ease of operation. Please follow these instructions as they are designed to assist operation and prolong the life of your parasol.

General Information

The Aurora parasol is principally intended for use in low to moderate wind conditions and will provide you with many hours of protection from the sun and light rain. You will get maximum benefit from your parasol when you use it in accordance with our instruction and in the weather conditions for which it was designed.

- Do not leave parasol open when unattended, particularly in windy conditions.
- Parasol should be closed and securely strapped in strong winds and adverse weather conditions.
- Always secure your parasol to an appropriate base.
- Any modifications to your parasol, except those made by Instashade Ltd. may invalidate the warranty.
- Make sure parasol canopy is dry and clean prior to storing away for extended periods of time to prevent mould from developing.
- Be careful when closing the parasol to ensure that the canopy does not get caught or “pinched” by the parasol arms. This is particularly important before storing the parasol away for extended periods of time or if the parasol is to be laid horizontally for storage. Damage to the fabric caused by “pinching” is not covered by warranty.
- Inspect the installation fitting / base on a regular basis and tighten if required.
- Periodically clear the parasol frame, removing cobwebs, insects, dirt and other foreign objects that can interfere with the mechanical operation of the parasol.

AURORA PARTS IDENTIFICATION



NOTE:
 When Aurora is closed, the double pulley is near the top inside of the mast.
 When Aurora is open, the double pulley is lower down inside the mast.

TO OPEN THE AURORA PARASOL

1. Remove the strap from the canopy.
2. Gently spread the canopy arms open with your hands (**refer Figure A**).
3. Ensure the slider knob is loose and slider can move freely (**refer Figure B**). Insert the winder handle (30) into the winder housing (31) on the mast and rotate in a clockwise direction.



Figure A

Gently spread the canopy arms open

4. Continue winding until the canopy is fully open. (The bottom hub (6) will be seated into the hub tube (9) and the edge of the canopy should be tight (**refer Figure C**).

Note: The winder handle will become a little harder to wind as the parasol nears fully open. This is normal particularly when the canopy is new.



Figure B

Ensure tilt knob is loose (turn anti-clockwise) when opening and closing parasol

5. Once the canopy is fully opened, hold the slider knob (20) and push the slider up until the canopy is horizontal and slider is at its highest position. Tighten slider knob (20) clockwise to secure the parasol.

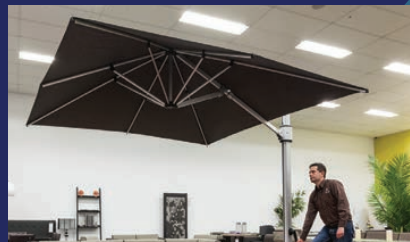


Figure C

Edge of canopy should be tight

6. The winder handle may be removed if desired.

TO CLOSE THE AURORA PARASOL

1. Turn the sider tilt knob (20) anti-clockwise until loose.
2. Rotate the winder handle (30) in an anti-clockwise direction. The canopy will begin to collapse. Continue winding in an anti-clockwise direction until the canopy is mostly closed and the canopy arms are pointing almost vertically down to the ground.
3. Hold the slider tilt knob and pull the slider down the mast towards the ground. The canopy should now be fully closed. Reach around with one arm and pull the canopy back towards the mast to complete closing.
4. **IMPORTANT:** Fold the canopy neatly to prevent any "pinching" of the canvas by the parasol frame. To do this stand in front of the canopy and find the front four panels of fabric. Put these together towards your body and then roll all four panels together back towards the parasol frame. Hold the rolled panels with one hand, while grabbing the fifth panel folding it over the roll to hold it in place. Alternate folding over remaining panels from left to right with the sixth, seventh and eighth panel.
5. Secure folded panels in place with the canopy strap, wrapping it around the mast and canopy. Gently push the folded canopy back against the mast so that it is compact.
6. **FITTING THE OPTIONAL COVERBAG:** Stand in front of the folded canopy and open the coverbag zip completely. Use the handle rod to lift the coverbag behind the mast and up as high as possible to clear the top of the parasol. Pull the coverbag down over the top of the mast and canopy. Zip the coverbag closed. The zip should be on the front side of the canopy, not at the back of the mast.



Figure A

Ensure tilt knob is loose (turn anti-clockwise) when closing parasol

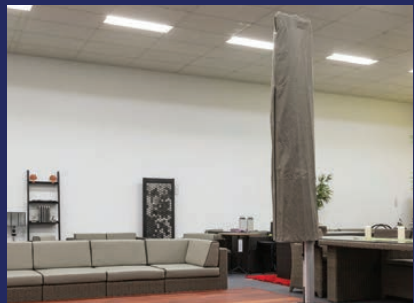


Figure B

Fit the cover bag over mast and frame and zip up

A video showing correct operation of the parasol can be found on our website at www.instashade.co.uk

TO ROTATE THE AURORA PARASOL

There are 16 pre-determined location holes in the spigot. These location holes are found at every 22.5 degrees interval around the spigot base. They are located where indicated on the spigot base and are under the nylon indexing shield (34) which acts as a dust cover for the holes not in use.

1. Pull the rotation lift handle (35) out from the mast cavity (**refer Figure A**)

2. Lift up on the handle and feel the resistance from the spring that houses the rotating lock pin (36).
Warning: In lifting this handle you are not attempting to lift the whole parasol, rather just the spring on the rotating lock pin that locates the rotation lock pin. Do not apply too much force when lifting up on the handle.

3. By using the rotating lift handle (35) as a lever you may rotate the parasol on the base (**refer Figure B**) until you arrive at the new required position.

NOTE: *There is some resistance to rotation as the weight of the parasol when opened and friction need to be overcome. For easier rotation close the parasol canopy first.*

4. Each position is marked by a notch on the spigot base. Align the indicator arrow with a notch (**refer Figure C**). Once aligned with a notch, lower the rotating handle down to locate the rotating lock pin. **WARNING:** *Do not force the rotating handle down if the indicator arrow is between notch positions. The rotating handle should close down easily. If any resistance is encountered do not force it, rotate the parasol further slightly to locate the correct hole position.*



Figure A
Lift rotation handle



Figure B
Rotate the parasol by using the handle



Figure C
Align the indicator arrow with a notch

TO TILT THE CANOPY

1. Gently spread the canopy arms open with your hands. Make sure the slider knob (2) is loose (turn anticlockwise to loosen). Open the canopy by inserting the handle (30) into the winder housing (31) on the mast and rotate in an anti-clockwise direction.

2. Wind the handle (30) until the canopy is fully open and the bottom hub (6) is fully in the hub tube (9) and the edge of the canopy is tight.

3. Hold the slider knob (20) and raise the slider (19) up the mast. (**refer Figure B.**)

4. Once you have moved the slider to the required position, tighten the tilt knob by turning clockwise firmly.

5. The tilt angle of the canopy can be adjusted at any time by loosening the slider knob (20) and sliding the slider up and down the mast.

6. When closing the parasol always start by loosening the slider knob (20) anti-clockwise. Refer instructions **“TO CLOSE AURORA PARASOL”**

NOTE: The optimum strength of the parasol is reached only when the slider is at its maximum height and the parasol canopy edge is horizontal to the ground. The strength of the parasol is lessened when the canopy is in an angled position.



Figure A

Start with the parasol almost completely closed



Figure B

Tilt knob loose to open

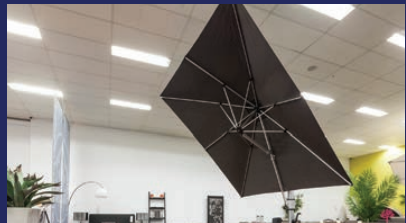


Figure C

Tilt position 1 (approx. 30 degrees)



Figure D

Tilt position 2 (approx. 60 degrees)

TO USE YOUR (OPTIONAL) STABILISER BARS

Stabiliser bars can be fitted to the Aurora parasol to assist its performance in a wider range of wind conditions. It is an optional extra and is available.

1. Slide the stay block (38) up the internal mast housing to a height roughly the same as the height of the stabiliser bars when standing vertical (**refer Figure A**).



Figure A
Slide stay block up the mast

2. Attach the threaded stainless screw with the two aluminium stays attached to the stay block and tighten the screw sufficiently for the stay block to remain in position without sliding down the mast (**refer Figure B**).



Figure B
Screw stays into stay block

3. Swing either aluminum stay arm off the ground and attach to the parasol arm using the “T-lock”. Position the T-lock to vertical and slide the hole in the plastic fitting at the end of the stabiliser bar over (**refer Figure C**). Set the T-lock to horizontal to lock the bar in place (**refer Figure D**).



Figure C
Slide end stay arm over T-lock

TO USE YOUR (OPTIONAL) STABILISER BARS

4. Attach the remaining arm to the other side. **Note:** *There is adjustment to the outer end of the stays so as to align the knob/screw connection with the parasol arm ends.*

5. You may need to loosen the central threaded stainless screw and adjust up or down the mast until you have applied a little upward tension on the parasol arms. Tighten this screw in position (**refer Figure E for parasol**).

CAUTION: *Do not over tension as this may distort the parasol arms. Reverse the process to remove. This must be removed to close the parasol or tilt the canopy.*

Important: Your Aurora parasol, even when fitted with the stabilising bars is not a permanent, all-weather structure. The parasol should be closed and folded when not in use and never left open when unattended or in strong winds.



Figure D
Set T-lock to horizontal

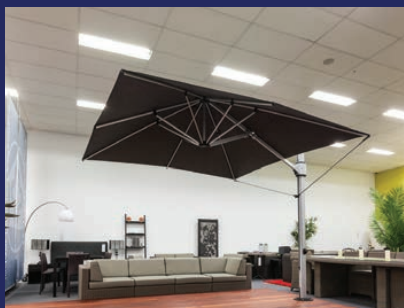


Figure E
Parasol with stays attached

MOBILE INSTALLATION

Use the Cross Base with your parasol if you do not wish to carry out an inground fitting. The Cross Base allows you the flexibility to move the parasol around. However it should only be used in light wind conditions.

1. Unpack two cross base sections and install the 4 end plates with the screws provided (**refer Figure A**).
2. Lay the top section (cut out facing down) over the bottom section (cut out facing up) (**refer Figure B**).
3. Place the parasol spigot onto the cross base, lining up the four holes in the spigot plate with the four holes on the cross base (**refer Figure C**).



Figure A



Figure B



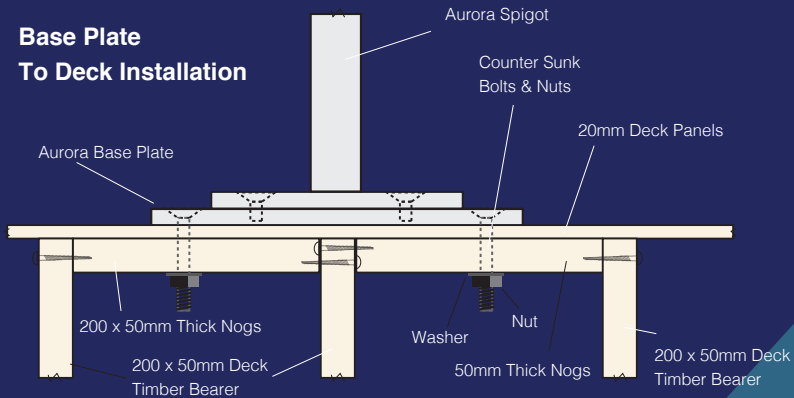
Figure C

PERMANENT INSTALLATION

Your Aurora parasol comes fully assembled in the box that it is delivered in. Once you have fixed the spigot correctly you may lift the Aurora parasol onto the spigot.

1. Fixing the Aurora base plate to a timber deck:

If you wish to locate your Aurora parasol on to a timber deck then the following installation method should be adhered to. Your Aurora base plate must be bolted to the frame of the deck and not only to the deck planking. You need to fasten to one or two wooden supports between the deck joists that form the structural frame of the deck. It is suggested that two 20cm by 5cm timber braces be secured hard up under the deck planking and between the deck bearers and fasten these braces to the deck frame with suitable fastenings. These may be large galvanised coach screws, builders brackets or similar.

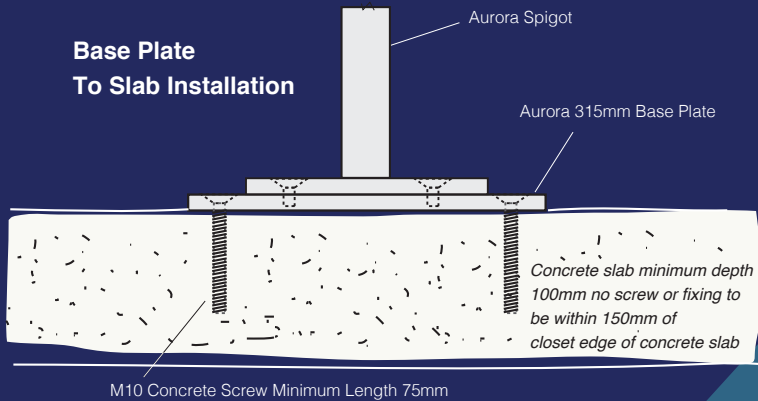


PERMANENT INSTALLATION

2. Fixing the Aurora base plate to a concrete patio:

When installing your parasol on a concrete surface you may fix the base plate to the concrete using four concrete screws or fastenings. Once you have installed your base plate to the concrete, use the four stainless steel screws provided to attach the spigot to the base plate. The reason for this is that should you wish to remove the parasol and spigot for any reason, say season or security reasons, you can remove the spigot easily and leave only the deck plate which is a permanent fixing.

Important: When installing a base plate first and then the spigot screwed on top you still need to direct one of the spigot screws holes in your preferred direction.



PERMANENT INSTALLATION

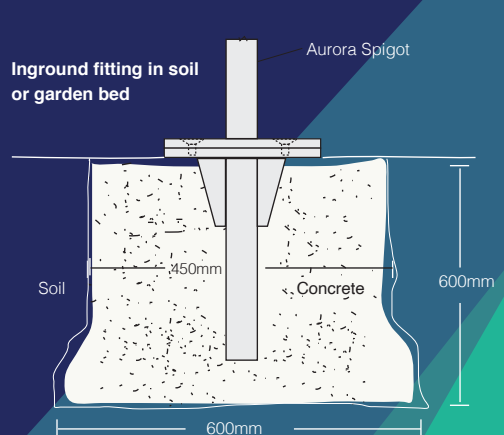
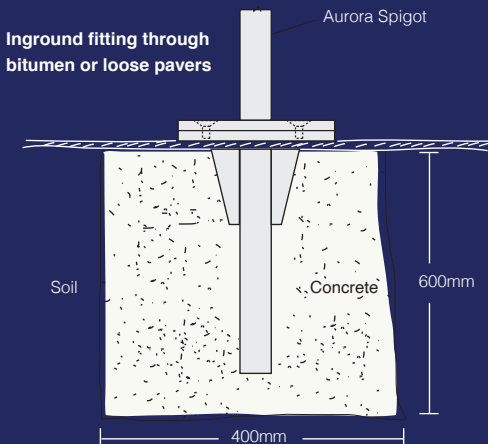
3. Fixing in lawn, soil or patio:

When installation is required in soil or sand, an in-ground fitting must be used. This is a galvanised steel fitting which must be concreted into position. Because terrain differs from thick clay to sand or fine soil then a different sized hole must be prepared and a different volume of concrete used. As a guide only a hole 45cm by 45cm by 60cm deep is a minimum requirement for heavy clay terrain. Even then a post hole borer can be used to deepen the centre of the footing. When pouring the concrete it is advisable to drop a few lengths of re-inforcing steel bar into the hole to prevent the concrete from cracking. Remember, depth of hole is better than width and it is much easier to make the hole over size than to try to re-stabilise the in-ground fitting should it start to move over time.

Important: Rotation of the spigot, the screw holes in the spigot and the in-ground fitting are identical you should aim one of the screw holes in your preferred position. Also ensure the in-ground fitting plate is level in the concrete. **Allow adequate time for the concrete to cure before using the parasol.**

Tip: To ensure that concrete slurry does not come up the four threaded holes in the in-ground fitting it is advisable to insert the four screws into the in-ground fitting and stick some tap over the underside of the holes. You can also leave the four grub screws in the four threaded holes until after the concrete has set. Remove these four grub screws before attaching the Aurora spigot.

Aurora Spigot



AURORA CANTILEVER PARASOL

Simple Maintenance Procedures:

- 1.** In coastal or metropolitan environments frequent washing (with a hose) of the complete unit is very beneficial.
- 2.** Should the 16 rotating mechanism stop pin holes become filled with sand or dust lift the parasol spigot up 20cm and allow the dust cover to be lifted and the 16 holes can be cleaned.
- 3.** Periodic cleaning of the slider tracks with mineral turpentine is recommended. It is important to keep tracks free of dirt, grit, cobwebs and other foreign objects. Spray can be used to lubricate the tracks after cleaning.
- 4.** Always fold the canopy as described in section "TO CLOSE AURORA PARASOL". This will prolong the new look of the canvas and prevent marking and holes caused by "pinching" in the parasol frame.
- 5.** If you have a cover bag it is advisable to fit it if the parasol is not being used for some time.
- 6.** It is recommended that if the parasol is not being used for a period of time during the winter months, then it is a good policy to put the umbrella in storage. You may even remove the spigot if required.
- 7.** The canvas canopy can be cleaned or mould removed by using a mild mixture of an approved mould remover and or warm soapy water using a soft brush. Test first on the strap to ensure no damage will be caused to the parasol canopy fabric.

CARE INSTRUCTIONS FOR YOUR INSTASHADE PARASOL

Recasens 100% Solution-Dyed Acrylic Canvas Fabric

- Instashade uses the finest marine grade solution-dyed acrylic canvas fabric manufactured by S.A. Recasens in Spain. This premium outdoor fabric has the best available colour fastness rating of 7.8 out of 8.
- Recasens fabrics also has the highest possible UV protection rating of UPF 80 according to the European UV standard 801, cutting out the maximum amount of harmful UV light for excellent sun protection.

HOW TO CLEAN YOUR OUTDOOR PARASOL FABRIC

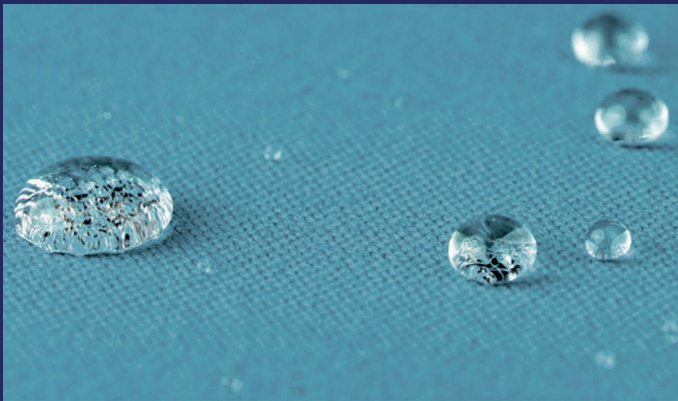
- Recasens acrylic canvas fabric is water and mould repellent and will last a very long time if maintained well. However, over time, the accumulation of dust, pollution particles, organic plant matter, pollen and general dirt can embed itself into the fabric and shorten the life of it.
- It is a good idea to periodically give your parasol fabric a light brush down with a soft bristled brush/broom and water from a garden hose. This will help to dislodge and remove loose dust and dirt that has settled on the fabric before it can embed itself deeply. Although mould will not grow directly on clean acrylic canvas, as dirt and organic matter embeds itself into the fabric the mould will be able to grow on the embedded dirt and organic matter, so it is best to remove dirt early.

How to clean light dirt and marks from your outdoor parasol fabric:

- Depending on how often you use your parasol, you may eventually need to give it a more thorough wash to remove any embedded dirt or early signs of mould growth. To do this you will need to mix warm water and sugar soap in a bucket. Use a soft bristled brush (or a long broom) to generously work this soapy water into a lather over the parasol fabric. Focus mostly on the areas with the most dirt or stains, then allow the soapy water to soak into the parasol fabric.
- Once you are finished soaking the parasol fabric, rinse it thoroughly with a hose until all soap residue is removed, and then air dry the fabric.
- Once you have finished soaking the parasol fabric, rinse it thoroughly with a hose until all the soap residue is removed, and then air dry the fabric.

How to remove heavy dirt or mould from your outdoor parasol acrylic canvas fabric:

- If you have heavy dirt or mould growth in your acrylic canvas fabric and the instructions above have not removed it, you may need to repeat the instructions again, but add between half and one cup of bleach to the bucket of soapy water. The acrylic canvas fabric used by Instashade should not fade or lose colour when using bleach (diluted with water) when cleaning. Feel free to test the bleach mixture on the canopy strap first to check that there is no colour loss.
- The best way to remove heavy dirt and mould is to remove the canopy from the parasol and soak it in warm water with something like bleach or "Vanish Oxi Action". You might need to change the water and repeat this process until all the dirt or stains are removed. It is then essential that the fabric is thoroughly rinsed with water to remove any cleaning product. A good way to do this is to put the fabric through a gentle machine wash with cold water and washing detergent. Once this is done, put the parasol fabric back on to the parasol frame wet and then allow to air dry..



Warranty:

- Recasens fabrics are manufactured with only the highest quality raw materials and the most rigorous quality-assurance procedures. Recasens fabrics are covered by a 10 year residential warranty (5 years for commercial use) covering rot and colour fading* in normal environments and conditions of use. The warranty does not cover wear and tear, or wind related damage.

**Colours with red pigmentation (red, orange and yellow etc) will have lower colour fastness than other colours and will show some fading earlier.*

PARASOL BASE CARE

- Do not let dirt build up on the bases. Cleaning with mild soap and water, and seasonal touch-up of any scratches, chips or occasional rust seepage from crevices or hidden, unfinished surfaces inherent in some designs is all that is required. Never leave bases standing in water. To keep your bases looking their best, you may wish to store them when not in use for any extended period of time.

SUMMARY

Light Cleaning

- Brush off dust and dirt with a soft brush. NEVER brush with stiff brushes since this can damage the fabric finish.
- Spray the parasol with clean water. If a hose is used, avoid high pressure.
- Prepare a solution of sugar soap in warm water (no more than 30°C) and apply it to the fabric and stitching.
- Scrub with a soft brush, allowing the solution to penetrate the fabric.
- Rinse with water to remove all traces of soap.
- Let air dry and do not close the parasol until the canvas is completely dry.

Deep Cleaning

- Brush off dust and dirt with a soft brush. NEVER brush with stiff brushes since this can damage the fabric finish.
- Remove the roof fabric from the parasol.
- Prepare a solution of something like bleach or "Vanish Oxi Action" in warm water (no more than 30°C).
- Scrub with a soft brush, allowing the solution to penetrate the fabric.
- You may need to change the water and repeat if necessary.
- Ensure that all the product is rinsed from the fabric put on a gentle machine was on a Gentle Machine wash with cold water and laundry detergent.
- Let air dry and do not close the parasol until the canvas is completely dry.



WARRANTY

INSTASHADE PARASOLS ECLIPSE, AURORA, NOVA ALL COME WITH THE FOLLOWING WARRANTIES:

- 3 year NO FADE olefin canvas
- 10 year NO FADE on acrylic (Eclipse/Nova)

The warranty covers faulty materials and faulty workmanship only. Wind damage is not covered by this warranty.

WARRANTY TERMS:

- This warranty does not cover damage caused by wind or adverse weather conditions, fair wear and tear, accidents or misuse.
- This warranty is valid only if the parasol is installed and operated as per the instructions in this manual.
- This is a back base warranty. In the case of repairs to the parasol being required (regardless of whether the repairs are covered under warranty) the cost of transportation to/from Instashade Ltd. Is to be paid by the claimant.
- Installation fittings and spigots are made using galvanised steel. Rust is a natural part of the aging process of all steel, based materials and is therefore not considered a defect and is not covered under warranty.
- This warranty is given by Instashade Ltd. No person has the authority to change or add to these obligations and liabilities without Instashade Ltd. approval in writing.
- Instashade Ltd. reserves the right to determine whether fault is caused by faulty workmanship, faulty materials or that any part is defective. Where fault is determined, we reserve the right to repair or replace products at our discretion.
- Instashade Ltd. or its authorised agent may offer advice but accepts not responsibility as to the ultimate positioning of the parasol. In the case of installations, the owner is to ascertain position of all underground pipes and electrical wires and notify the installer of any obstacles. Although all care will be taken, no responsibility can be accepted for any damage during installation.
- Any parasol repair, hardware replacement or fabric replacement supplied under the warranty is covered for the time remaining in the original warranty and does not activate a new warranty period.
- This warranty applies to the original purchaser only.

FABRIC WARRANTY TERMS:

Our solution dyed acrylic fabrics are guaranteed against:

- Rot or significant loss of strength from normal usage and exposure conditions. It does not apply against any deterioration of any kind due to wind or weather-related damage, misuse, burns, negligence, vandalism, perforations or stains due to environmental pollution and fair wear and tear.
- Loss of colour. Our acrylic canvas fabric is warranted to remain colour-fast to a rating of 7-8 on a 1-8 scale (meaning minimum fading).
- Recasens fabrics are manufactured with only the highest quality raw materials and the most rigorous quality-assurance procedures. Recasens fabrics are covered by a 10 year residential warranty (5 years for commercial use) covering rot and colour fading* in normal environments and conditions of use. The warranty does not cover wear and tear, or wind related damage.

**Colours with red pigmentation (red, orange and yellow etc) will have lower colour fastness than other colours and will show some fading earlier.*



Unit 7 & 8 Tatton Court
Kingsland Grange
Warrington
WA1 4RR

Tel: 01925 859960
Email – info@instashade.co.uk
Web – www.instashade.co.uk